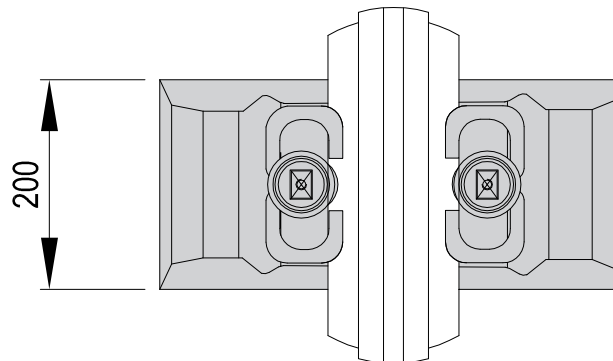
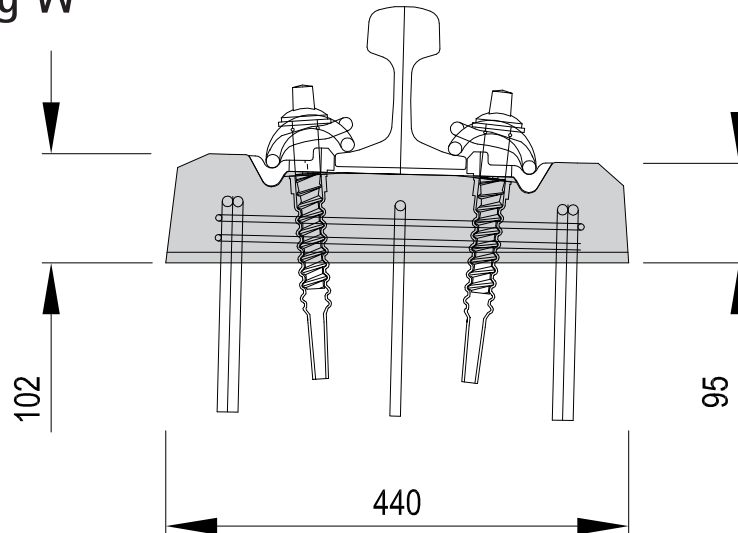


"System Inplace" Rail Single Block for Rail fastening W



All dimensions in mm

Field of application:	Urban Transit
Permissible wheel set load:	160 kN
Rail inclination:	1:40 / 1:∞
Track gauge:	according to customer specification
Rail fastening system:	W 14 or according to customer specification
Rail:	60 Ri 1, 60 Ri 2, RiPh37A rail foot width 180 mm 60 E 1, 57 Ri 1 rail foot width 150 mm 49 E 1, 54 E 3 rail foot width 125 mm
Weight:	Without rail fastening system, approx. 22 kg
Produced according to DIN EN 13230	